



Mech-Eye Pro S Enhanced

DATASHEET



Mech-Eye Pro S Enhanced



With a **working distance of 500 mm - 1,000 mm** and an increased **calibration accuracy of 0.1 mm**, the Pro S Enhanced offers a solution for applications where shorter ranges are sufficient but more accurate calibration is required.

Specifications

The Pro S Enhanced is ideal for applications such as bin picking, sorting & picking, and locating small components.

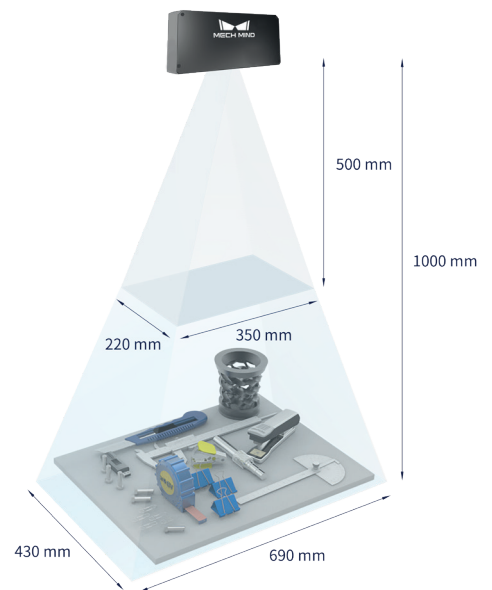
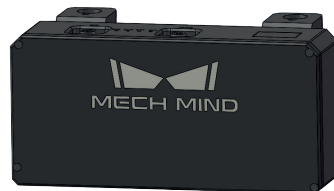
Scope of delivery

Pro S Enhanced Camera

Power - M12, 4-pin, A-coded to EU 230 (10 m) *

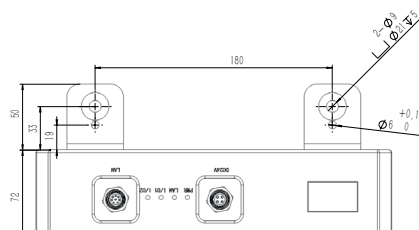
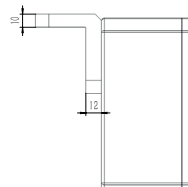
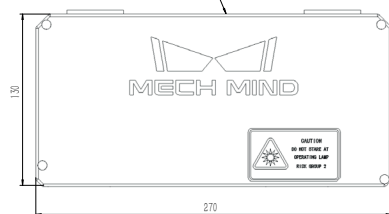
Data - M12, 8-pin, A-coded to RJ45 (10 m) *

*further cable lengths are available



Technical drawing

This surface should leave a minimum clearance of 70mm for tools and wiring.




Technical data

Optimal scanning range	500 - 1,000 mm
Min. FOV	350 x 220 mm @ 0.5 m
Max. FOV	690 x 430 mm @ 1 m
Resolution	1,920 x 1,200 px (2.3 MP)
Sensor type	CMOS (RGB/Monochrome)
Projector	structured light (LED)
Z Repeatability	0.05 mm @ 1 m
Calibration accuracy	0.1 mm @ 1 m
Typical capture time	0.5 - 0.8 s
Baseline	150 mm
Dimension	270 x 72 x 130 mm
Weight	2.2 kg
Working temperature	0 - 45 °C (max. gradient 10°/hour)
Interface	GigE , C++, C#, Python, ROS
Connectors	M12, 8-pin, A-coded (F) - Data M12, 4-pin, A-coded (F) - Power
Power supply	24V DC
Certification	CE/FCC/VCCI
Protection class	IP65
Cooling	Passive



 www.mech-mind.de

 hello@mech-mind.de