



# Mech-Eye LOG M

DATASHEET



# Mech-Eye LOG M



With a **working distance of 800 mm - 2,000 mm** and a **calibration accuracy of 0.3 mm**, the LOG M camera covers a wide range of industrial applications with a medium field of view very well.

## Specifications

The LOG M is ideal for applications such as bin picking, sorting & picking, palletizing & depalletizing, and component localization.

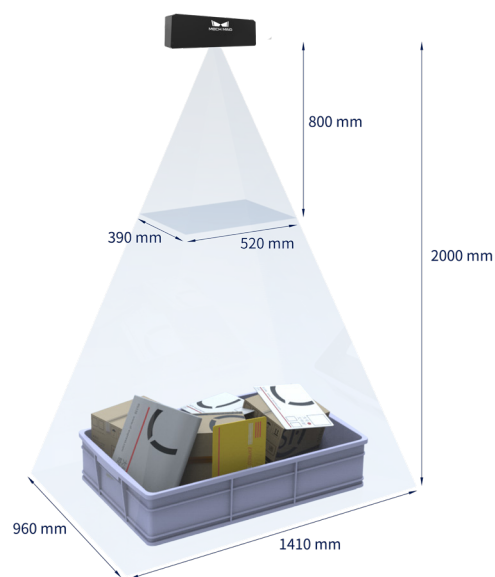
## Scope of delivery

LOG M Camera

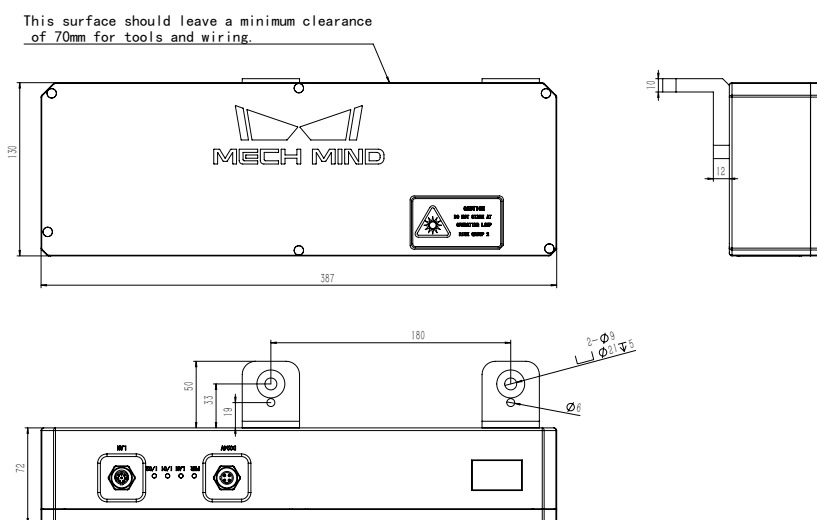
Power - M12, 4-pin, A-coded to EU 230 (10 m) \*

Data - M12, 8-pin, A-coded to RJ45 (10 m) \*

\*further cable lengths are available



## Technical drawing




## Technical data

Optimal scanning range	800 - 2,000 mm
Min. FOV	520 x 390 mm @ 0.8 m
Max. FOV	1,410 x 960 mm @ 2 m
Resolution	1,280 x 1,024 px (1.3MP)
Sensor type	CMOS (RGB)
Projector	structured light (LED)
Z Repeatability	0.3 mm @ 2 m
Calibration accuracy	0.3 mm @ 2 m
Typical capture time	0.3 - 0.5 s
Baseline	280 mm
Dimension	387 x 72 x 130 mm
Weight	2.4 kg
Working temperature	0 - 45 °C (max. gradient 10°/hour)
Interface	GigE, C++, C#, Python, ROS
Connectors	M12, 8-pin, A-coded (F) - Data M12, 4-pin, A-coded (F) - Power
Power supply	24V DC / 3.75A
Certification	CE/FCC/VCCI
Protection class	IP65
Cooling	Passive



 [www.mech-mind.de](http://www.mech-mind.de)

 [info@mech-mind.de](mailto:info@mech-mind.de)